

# LMTC2020 Series

## Temperature Compensated Crystal oscillator

### FEATURE

- Wide frequency range
- Industry standard pin-out
- Custom Options available

Table 1

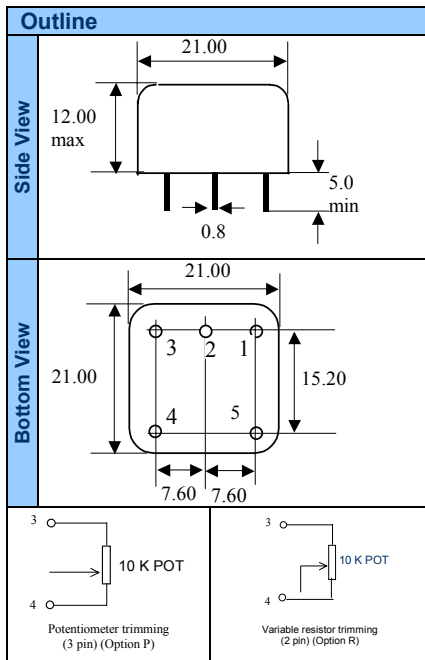
STABILITY TABLE						
Codes	Stability Codes		X	Y	Z	P
	Frequency Stability		±0.5 PPM	±1.0 PPM	±1.5 PPM	±2.0 PPM
A	Temperature Range	0 to +50° C				
B		0 to +60° C				
F		0 to +70° C				
D		-10 to +60° C				
E		-10 to +70° C				
C		-20 to +70° C				
G		-30 to +80° C				
H		-30 to +85° C				
J		-40 to +85° C				

Table 2

Supply Voltage	3.3V	5V	9V	10V	12V	15V
Code	3	5	9	A	C	F

### Pin Connection

PIN	Option N & I	Option V	Option P	Option R
1	Supply	Supply	Supply	Supply
2	Output	Output	Output	Output
3	Ground	Ground	Ground	Ground
4	Not connected	Frequency Adjustment	Frequency Adjustment	Variable Resistor
5	Not connected	Not connected	Ref. Voltage out	Not connected



Parameters	Variant		Option Codes
	H	T	
<b>Frequency Range:</b> 1 MHz – 100 MHz	■	■	
<b>Output Drive:</b> 15 pF HCMOS / TTL Other	■ □	■ □	Specify
<b>Logic Levels:</b> '0' = +0.5V max, '1' = +4.0V min '0' = +0.4V max, '1' = +2.4V min	■	■	
<b>Rise / fall time:</b> 10 nS max	■	■	
<b>Waveform symmetry:</b> 40:60 max @ 2.5V 40:60 max @ 1.4V	■	■	
<b>Frequency stability:</b> (Table 1)			
<b>Temperature range:</b> (Table 1)			
<b>Storage temperature range:</b> -55 to +105° C	■	■	
<b>Frequency Vs. supply voltage</b> ±0.1 ppm / V max.	■	■	
<b>Ageing:</b> ±1.0 ppm max per year	■	■	
<b>Supply voltage (V<sub>DD</sub>):</b> (Table 2) +5.0V (±5%) +5.0V ~ 13V (±5%)	■ □	■ □	Specify
<b>Supply current:</b> 20 mA max (<20.0 MHz) 30 mA max (20.0 ~ 50.0 MHz) 50 mA max (>50 MHz)	■ ■ ■	■ ■ ■	
<b>Frequency adjustment:</b> None ±3 ppm min by internal trimmer ±5 ppm, 2.5V ±2.5 V ±5 ppm by external 3 pin potentiometer ±5 ppm by external 2 pin variable resistor	□ ■ □ □ □	□ □ ■ □ □	N I V P R

■ Standard, □ Optional – please specify required code(s) when ordering.

General Electronic Devices

320 So. Pacific St. San Marcos, CA 92069

Tel: (760) 591-4170 (760) 591-4095 Fax: (760) 591-4164 Email: info@gedlm.com Website: www.gedlm.com